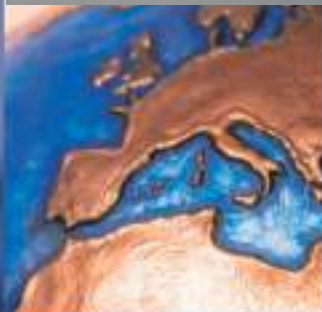




Junior
GAS SPRING



FIT ENDS CATALOGUE

Junior Gas Spring

Gas Springs

Resortes
Neumáticos

Verins

Molle a Gas

Gasfeder

Amortecedores
da mala



This is a translation of the certificate ES10/8319

The management system of

JUNIOR DERQUI, S.L. (JUNIOR GAS SPRING)

Polígono Alcalá X, C/ 4, Nave 14, 41500 Alcalá de Guadaíra, Sevilla

has been assessed and certified as meeting the requirements of

ISO 9001:2015

For the following activities

Gas springs manufacturing and distribution for automotive and furniture uses.

This certificate is valid from 14 June 2022 until 14 June 2025 and remains valid subject to satisfactory surveillance audits.

Issue 8. Certified with SGS since 14 June 2010.

SGS International Certification Services Iberica, S.A.U.
C/Trespaderne, 29, 28042 Madrid, España
t+34 91 313 8115 - www.sgs.com



This document is issued by the Company subject to its General Conditions of Certification Services accessible at www.sgs.com/terms_and_conditions.htm. Attention is drawn to the limitations of liability, indemnification and jurisdictional issues established therein. The authenticity of this document may be verified at <http://www.sgs.com/certified-clients-and-products/certified-client-directory>. Any unauthorized alteration, forgery or falsification of the content or appearance of this document is unlawful and offenders may be prosecuted to the fullest extent of the law.



PRODUCTION PROCESS





THE COMPANY

JUNIOR GAS SPRING (JUNIOR DERQUI S.L.U.) was founded in 2002 and has been consolidated throughout these 20 years of experience in the national and international market to which it supplies gas springs to OE producers for bus, furniture and industrial sector.

Currently, Junior Gas Spring has the capacity to produce 300,000 springs per year tailored to its customers and with no minimum quantity per order, thanks to a patented system by which with only 85 references they can provide service for the equivalent of a stock of 1,421 passenger cars.

The company, has been following the ISO 9001:2015 quality management system since 2009 without any non conformity, and uses management systems such as the 5's, lean manufacturing and visual management. As a result of the innovations that the company has been introducing throughout these years of evolution, today it has an average service rate of 99.5% (order fill rate) in 24 hours, (Iberian Peninsula) in its orders, agility that it achieves thanks to the qualified manufacturing team and the sales team, made up of 26 people, of which 18 are sales agents distributed in Spain, Portugal, England and France.

The weekly review of the business parameters is a work guideline that the company has followed since its inception, as it has been applying in all its processes.

The key of our successful evolution consists in having unloaded stock that is customized at the last moment. For this we use control systems where we obtain the traceability of the product both in the manufacture and in the expedition".

Junior Gas Spring is one of the very few manufacturers in Europe dedicated mainly to automotive spare parts and has several patents for gas springs.

The company has been awarded by the CEA (Andalusian entrepreneur's organization) for its industrial excellence, also the Red Cross for its social commitment and the IIST (Instituto Internacional San Telmo Business school).

The company follows an environmental policy using a patented system of retractable sleeves instead of painting and recycling 100% of the waste.

FIXATION KITS / KITS DE FIJACIÓN. mm.

FK025 6P JB
JB SET BALL-BALL
KIT JB RÓTULA-RÓTULA

FK100 6P GE
GENERIC SET EYE-EYE
KIT GENERICO OJO-OJO

FK002 5P E6

KIT 5 PIECES / 5 PIEZAS

OREJETAS PEQUEÑAS 18MM-M6 / METAL EYELET / SMALL M6-0302

FK003 10P W

ARANDELAS M6 / WASHER M6

FK300 5P AD

PROLONGADOR M7 / ADAPTER M7

FK004 5P SB

KIT 5 PIECES / 5 PIEZAS

ROTULA METALICAS LARGAS m7 / SILVER BALL SOCKET LARGE M7

FK005 5P GB

KIT 5 PIECES / 5 PIEZAS

ROTULA METALICAS dorada mediana m7 / GOLDEN BALL SOCKET medium M7

FK006 5P P7

KIT 5 PIECES / 5 PIEZAS

ROTULA DE PLASTICO M7 / PLASTIC SOCKET M7

FK007 5P A7

KIT 5 PIECES / 5 PIEZAS

ROTULA DE PLASTICO ANGULAR M7 / ANGLE SOCKET M7

FIXATION KITS / KITS DE FIJACIÓN. mm.

FK008 5P GE

KIT 5 PIECES / 5 PIEZAS

OREJETAS mediana M7 /
METAL EYELET medium M7

FK009 5P SE

KIT 5 PIECES / 5 PIEZAS

OREJETA grande M7 8.1 /
Large METAL EYELET M7 /8.1

FK010 5P E6

KIT 5 PIECES / 5 PIEZAS

OREJETA mediana M6 8.1 /
medium METAL EYELET M6 /8.1

FK011 5P A6

KIT 5 PIECES / 5 PIEZAS

ROTULA PLASTICO M6 /
PLASTIC SOCKET M6-(5151)

FK012 5P A6

KIT 5 PIECES / 5 PIEZAS

ROTULA ANGULAR M6 / ANGLE
PLASTIC SOCKET M6-(5151AN)

FK013 5P S6

KIT 5 PIECES / 5 PIEZAS

ESPIGA METALICA M6-10MM /
METAL STUD HEXAGONAL M6

FK014 5P S8

KIT 5 PIECES / 5 PIEZAS

ESPIGA METALICA M8 -10MM /
METAL STUD HEXAGONAL M8

FK015 1P BP

1 PIECE / 1 PIEZA

TETON METALICO PARALELO /
PARALLEL METAL BRACKET

FIXATION KITS / KITS DE FIJACIÓN. mm.

FK016 1P BA

1 PIECE / 1 PIEZA

ANCLAJE ANGULAR METALICO / ANGLE METAL BRACKET

FK017 5P E6

KIT 5 PIECES / 5 PIEZAS

OREJETA MEDIANA M6 Ø9.1 / METAL EYELET MEDIUM M6 Ø9.1

FK018 5P BS

KIT 5 PIECES / 5 PIEZAS

ROTULA METALICA PEQUEÑA M6 / BALL SOCKET SMALL M6

FK019 5P BS

KIT 5 PIECES / 5 PIEZAS

ROTULA METALICA mediana M6 / BALL SOCKET medium M6

FK020 5P BS

KIT 5 PIECES / 5 PIEZAS

ROTULA METALICA pequeña M7 / BALL SOCKET small M7

FK021 5P F8

KIT 5 PIECES / 5 PIEZAS

OREJETA METALICA PLANA M8 10MM / FLAT METAL EYELET M8 / 10

FK022 5P R8

KIT 5 PIECES / 5 PIEZAS

OREJETA METALICA REDONDA M8 / 8 // ROUNDED METAL EYELET M8 / 8

FK023 5P BS

KIT 5 PIECES / 5 PIEZAS

ROTULA METALICA grande M6 / BALL SOCKET large M6

FIXATION KITS / KITS DE FIJACIÓN. mm.

FK024 5P E7

KIT 5 PIECES / 5 PIEZAS

OREJETA PEQUEÑA M7
Ø8.1/SMALL EYELET M7 Ø8.1

FK026 5P MB

KIT 5 PIECES / 5 PIEZAS

ROTULA DE PLASTICO M7 /
PLASTIC SOCKET M7

FK027 5P LB

KIT 5 PIECES / 5 PIEZAS

ROTULA DE PLASTICO M7 /
PLASTIC SOCKET M7

FK028 5P E6

KIT 5 PIECES / 5 PIEZAS

OREJETA MEDIANA M6 Ø6.1/METAL
EYELET MEDIUM M6 Ø6.1

FK029 5P BS

KIT 5 PIECES / 5 PIEZAS

RÓTULA METÁLICA GRANDE M8
Ø13/BALL SOCKET LARGE M8 Ø13

FK030 5P E8

KIT 5 PIECES / 5 PIEZAS

OREJETA PEQUEÑA M8/ METAL
EYELET SMALL M8

FK031 5P P8

KIT 5 PIECES / 5 PIEZAS

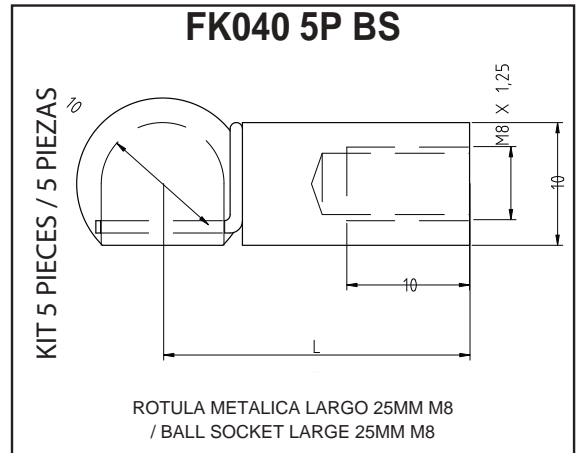
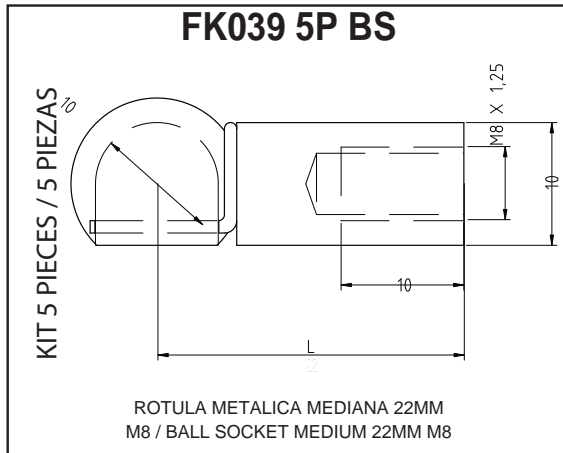
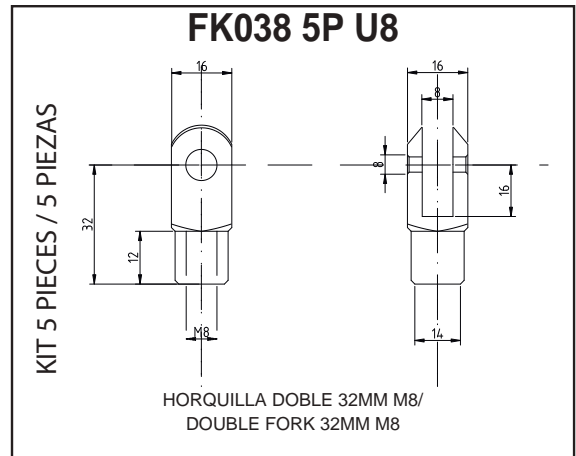
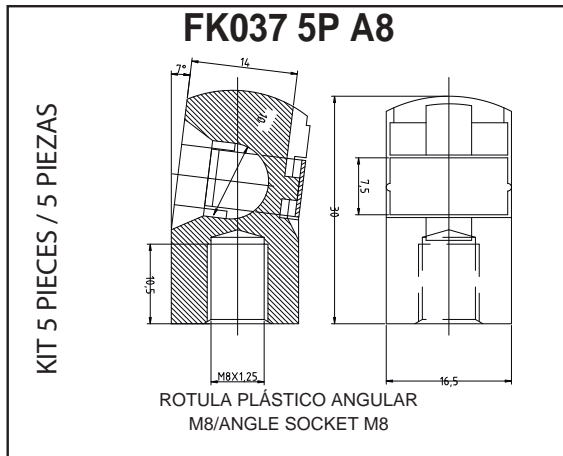
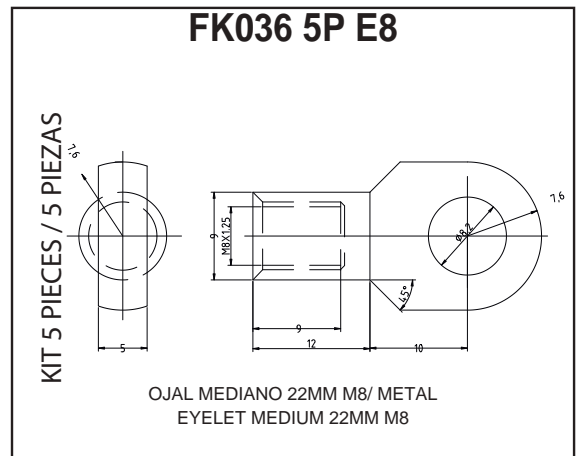
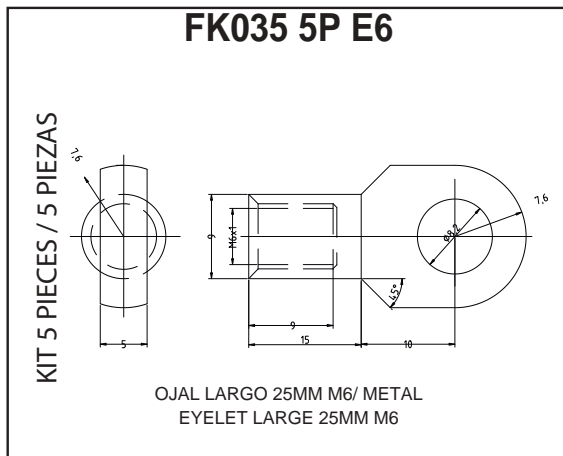
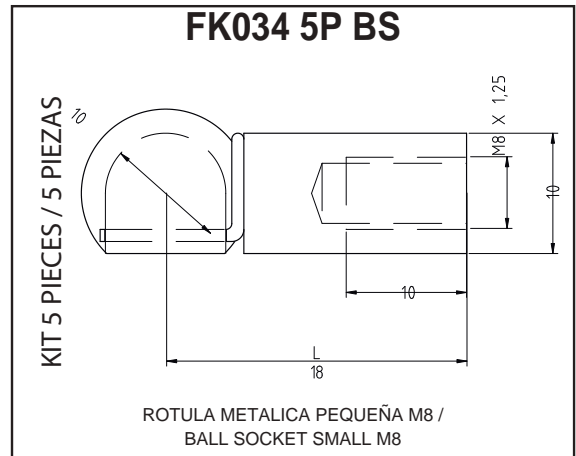
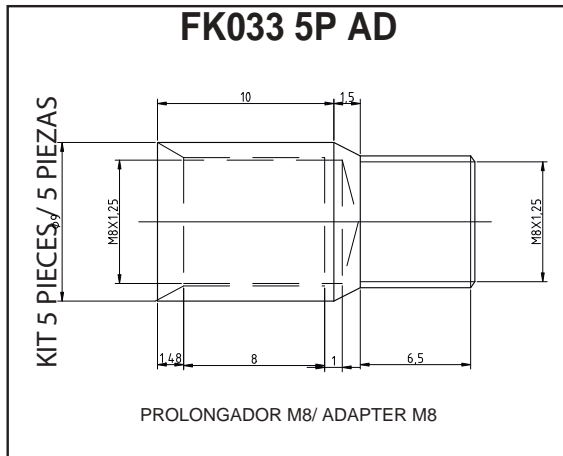
RÓTULA DE PLÁSTICO M8/ PLASTIC
SOCKET M8

FK032 5P AD

KIT 5 PIECES / 5 PIEZAS

PROLONGADOR M6/ ADAPTER M6

FIXATION KITS / KITS DE FIJACIÓN. mm.



FIXATION KITS / KITS DE FIJACIÓN. mm.

FK041 5P S8

KIT 5 PIECES / 5 PIEZAS

ESPIGA METALICA M8 - Ø13/ METAL
STUD HEXAGONAL M8 - Ø13

FK042 5P E8

KIT 5 PIECES / 5 PIEZAS

OJAL LARGO 25MM M8/ METAL
EYELET LARGE 25MM M8

FK043 5P E8

KIT 5 PIECES / 5 PIEZAS

ESPIGA METALICA M8 - Ø10/ METAL
STUD HEXAGONAL M8 - Ø10 - 20MM

FK044 5P S8

KIT 5 PIECES / 5 PIEZAS

ESPIGA METALICA M8 - Ø10/ METAL
STUD HEXAGONAL M8 - Ø10 - 30MM

FK045 5P E10

KIT 5 PIECES / 5 PIEZAS

OREJETA GRANDE M6 Ø10.0/ METAL
EYELET LARGE M6 Ø10.0

FK046 5P E10

KIT 5 PIECES / 5 PIEZAS

OREJETA METÁLICA PLANA M6 Ø10/
FLAT METAL EYELET M6 Ø10

FK047 5P E6

KIT 5 PIECES / 5 PIEZAS

OREJETA MEDIANA M7 Ø6,1/ METAL
EYELET MEDIUM M7 Ø6,1

FK048 5P S8

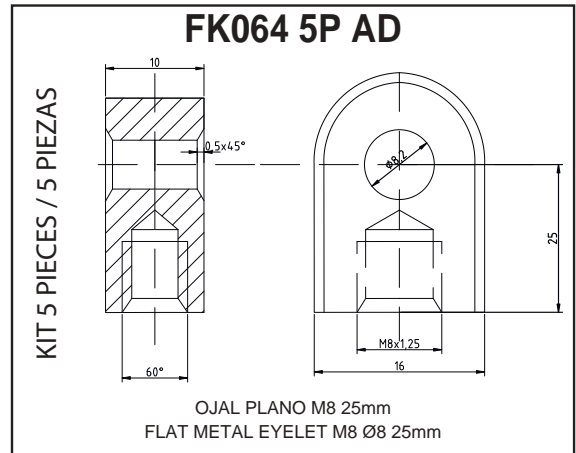
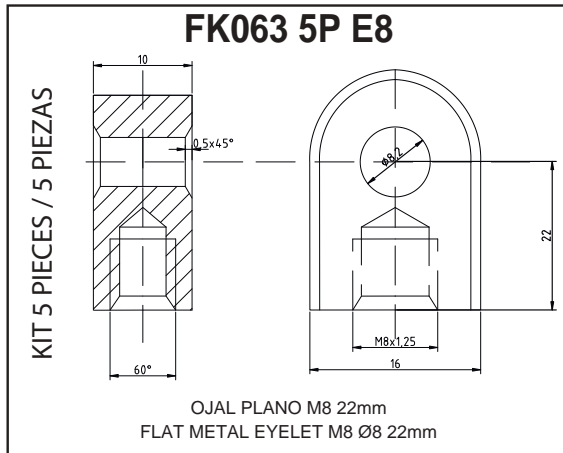
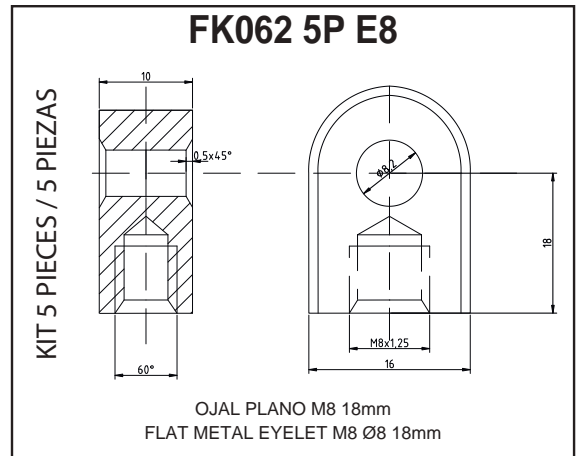
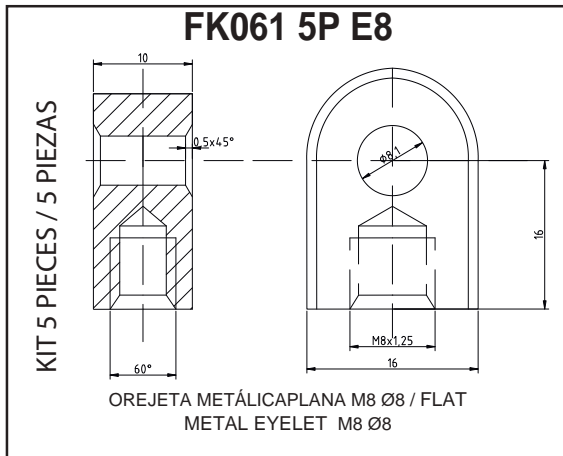
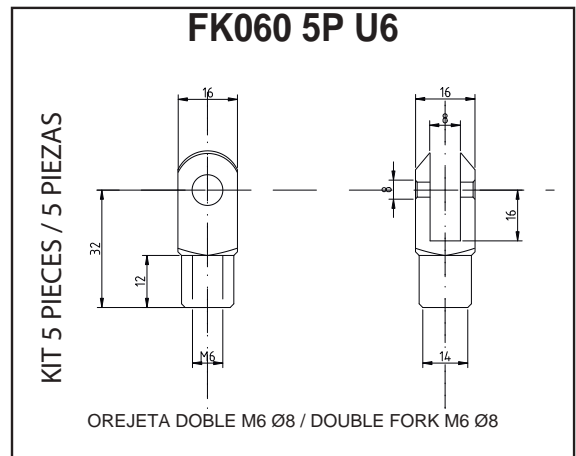
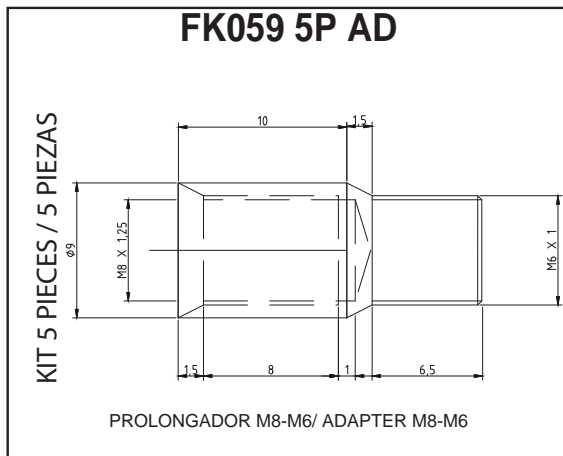
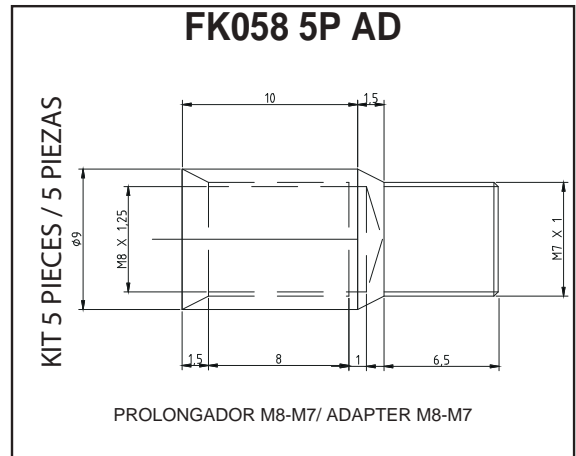
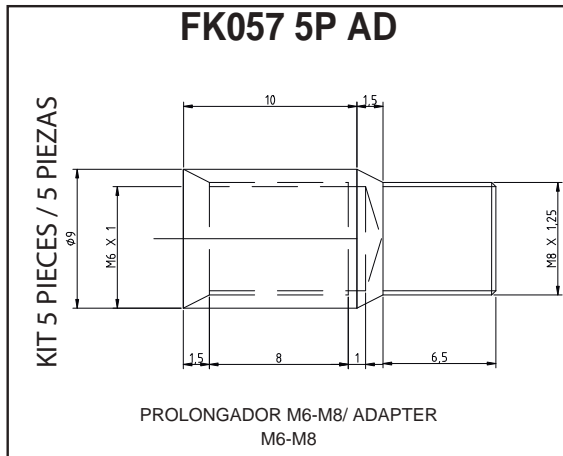
KIT 5 PIECES / 5 PIEZAS

ROTULA METALICA GRANDE M6
BOLA Ø13/ BALL SOCKET M6 Ø13

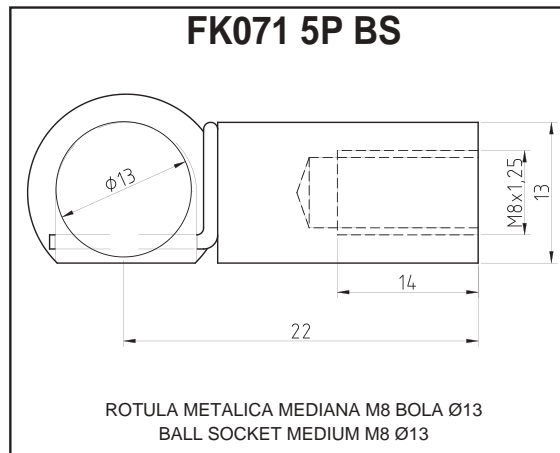
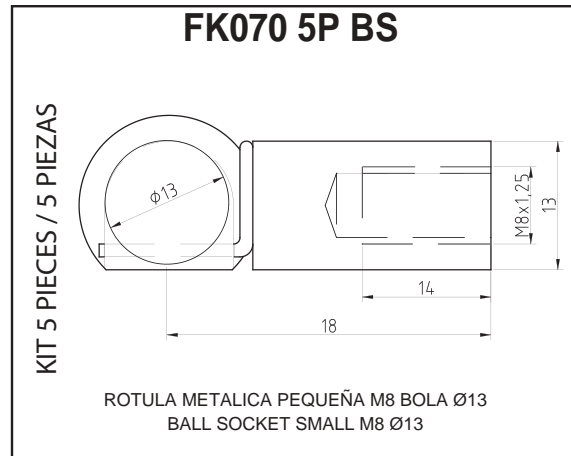
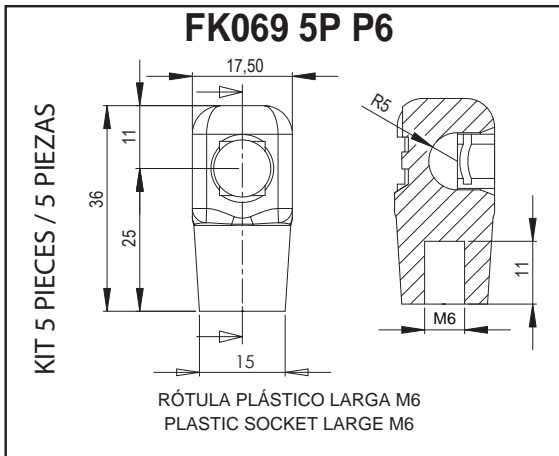
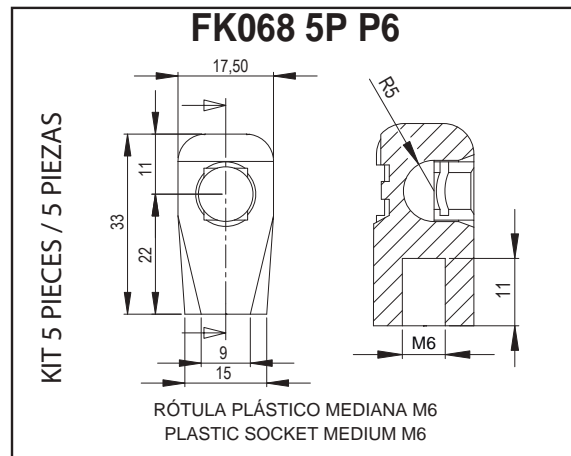
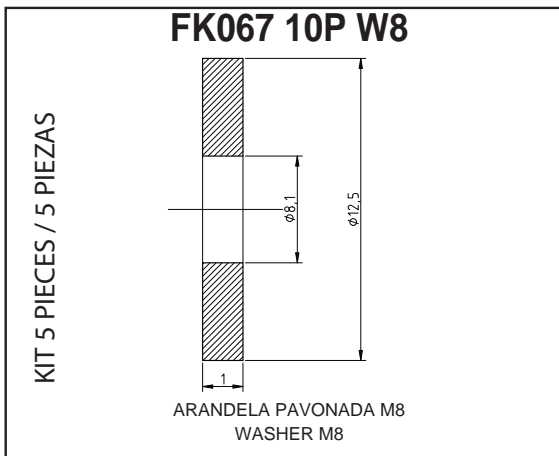
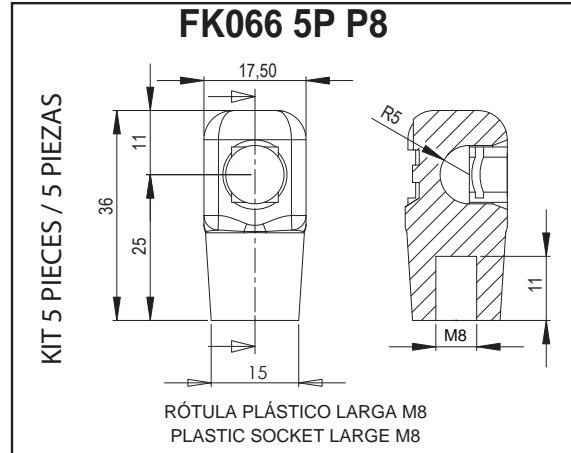
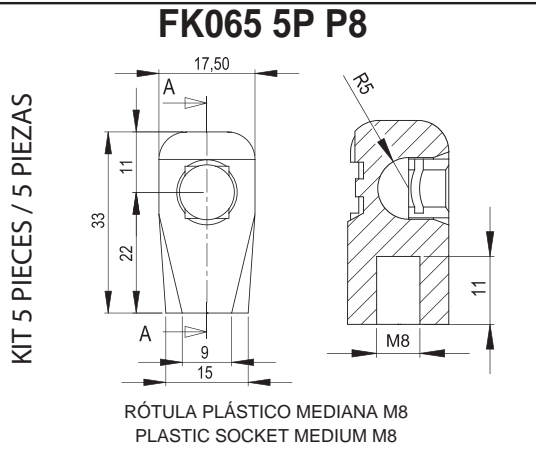
FIXATION KITS / KITS DE FIJACIÓN. mm.

<p>FK049 5P U6</p> <p>KIT 5 PIECES / 5 PIEZAS</p> <p>OREJETA DOBLE M6/ DOUBLE FORK M6</p>	<p>FK050 5P E10</p> <p>KIT 5 PIECES / 5 PIEZAS</p> <p>OREJETA METALICA PLANA M8 Ø10,1 20MM/ FLAT METAL EYELET M8 Ø10,1 20MM</p>
<p>FK051 5P BA</p> <p>KIT 5 PIECES / 5 PIEZAS</p> <p>ROTULA METALICA ANGULAR MEDIANA M6/ ANGLE BALL SOCKET MEDIUM M6</p>	<p>FK052 5P BA</p> <p>KIT 5 PIECES / 5 PIEZAS</p> <p>ROTULA METALICA ANGULAR MEDIANA M7/ ANGLE BALL SOCKET MEDIUM M7</p>
<p>FK053 5P BA</p> <p>KIT 5 PIECES / 5 PIEZAS</p> <p>ROTULA METALICA ANGULAR MEDIANA M8/ ANGLE BALL SOCKET MEDIUM M8</p>	<p>FK054 5P AD</p> <p>KIT 5 PIECES / 5 PIEZAS</p> <p>PROLONGADOR M7-M8/ ADAPTER M7-M8</p>
<p>FK055 5P AD</p> <p>KIT 5 PIECES / 5 PIEZAS</p> <p>PROLONGADOR M7-M6/ ADAPTER M7-M6</p>	<p>FK056 5P AD</p> <p>KIT 5 PIECES / 5 PIEZAS</p> <p>PROLONGADOR M6-M7/ ADAPTER M6-M7</p>

FIXATION KITS / KITS DE FIJACIÓN. mm.

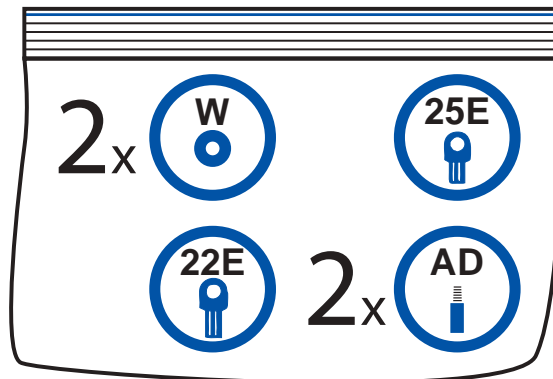


FIXATION KITS / KITS DE FIJACIÓN. mm.

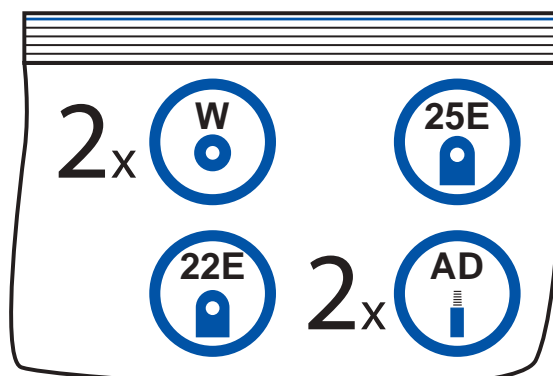


FK220 6P EE
INDUSTRIAL SET EYE-EYE Ø10

KIT INDUSTRIAL OJO-OJO Ø10

**FK280 6P EE**
INDUSTRIAL SET EYE-EYE Ø14

KIT INDUSTRIAL OJO-OJO Ø14





C/4 Nº14 P.I. ALCALÁ X, 41500
ALCALÁ DE GUADAIRA (SEVILLA)



+34955630127



+34637833298



pedidos@juniorgasspring.com

JUNIOR DISPLAY



WHY SHOULD WE BUY JUNIOR?





Junior
GAS SPRING

less stock, more service

www.juniorgs.com

pedidos@juniorgasspring.com

TLF: + 34 955 630 137



N37°21' 920" W5°52' 707"

GAS SPRING

